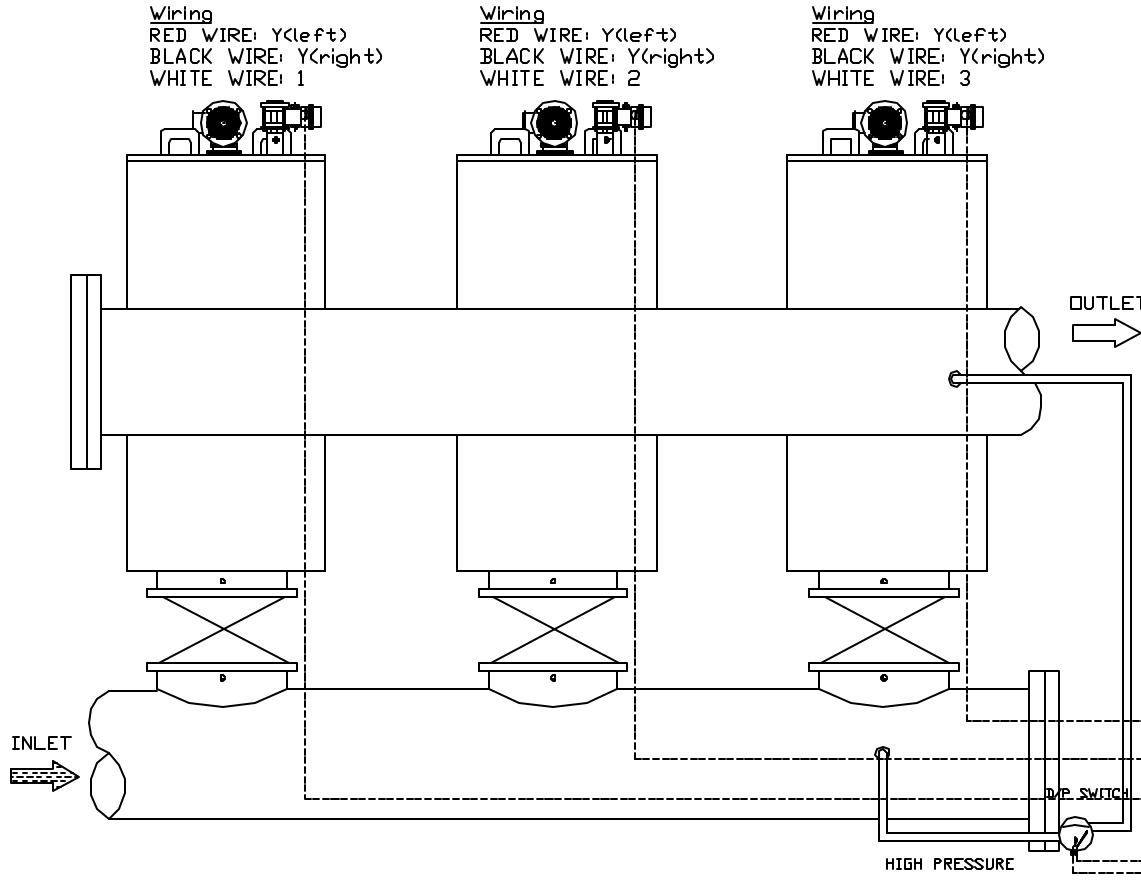


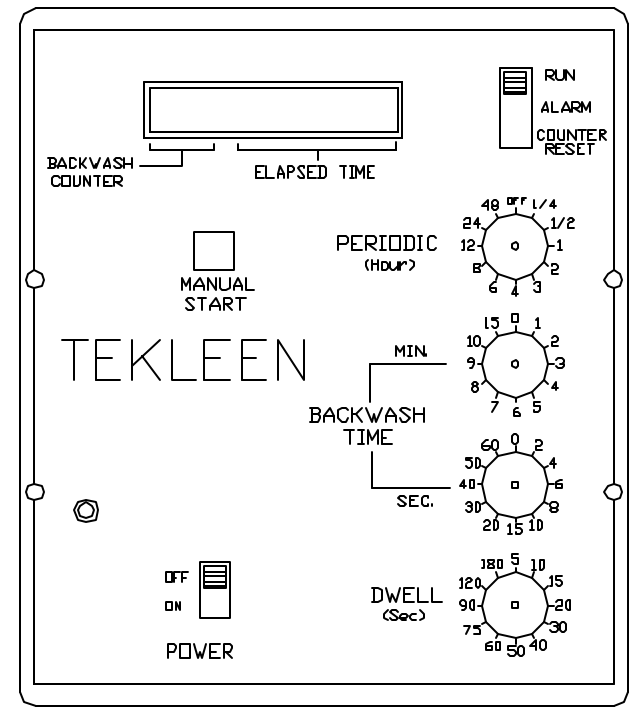
# GB8 Controller



Wiring  
RED WIRE: Y(left)  
BLACK WIRE: Y(right)  
WHITE WIRE: 1

Wiring  
RED WIRE: Y(left)  
BLACK WIRE: Y(right)  
WHITE WIRE: 2

Wiring  
RED WIRE: Y(left)  
BLACK WIRE: Y(right)  
WHITE WIRE: 3



Y □ Y C 4 3 2 1 A M P D  
○ ○ ○ ○ ○ ○ ○ ○ ○ ○ ○ ○

UNLESS OTHERWISE SPECIFIED  
DIMENSIONS ARE IN INCHES  
TOLERANCES  
DECIMALS ANGULAR  
.XX ± .05 ± 0.5 DEG  
XXX ± .01

AUTOMATIC FILTERS, INC.  
2672 S. LA CIENEGA BLVD.  
LOS ANGELES, CA 90034  
(310) 839-2828 FAX (310) 839-6878

TITLE  
3 x CSB  
Wiring Diagram

DRAWN	DATE
Daniel Steinberg	11-18-09
CHECKED	
DESIGN	

SIZE	DWG NO.	REV
A	3CSBEFV	0
NTS	SHEET	OF

E  
D  
C  
B  
A